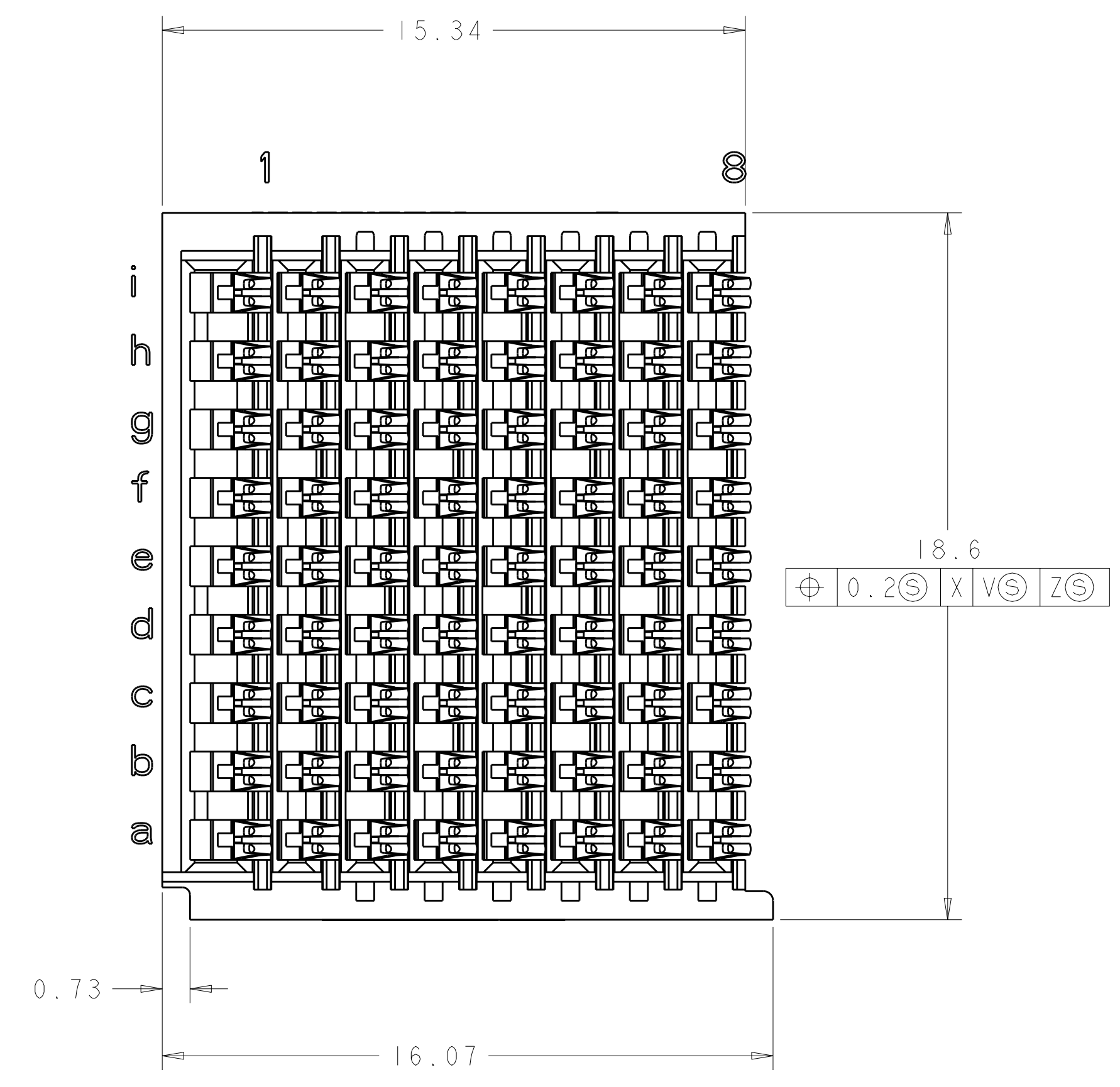
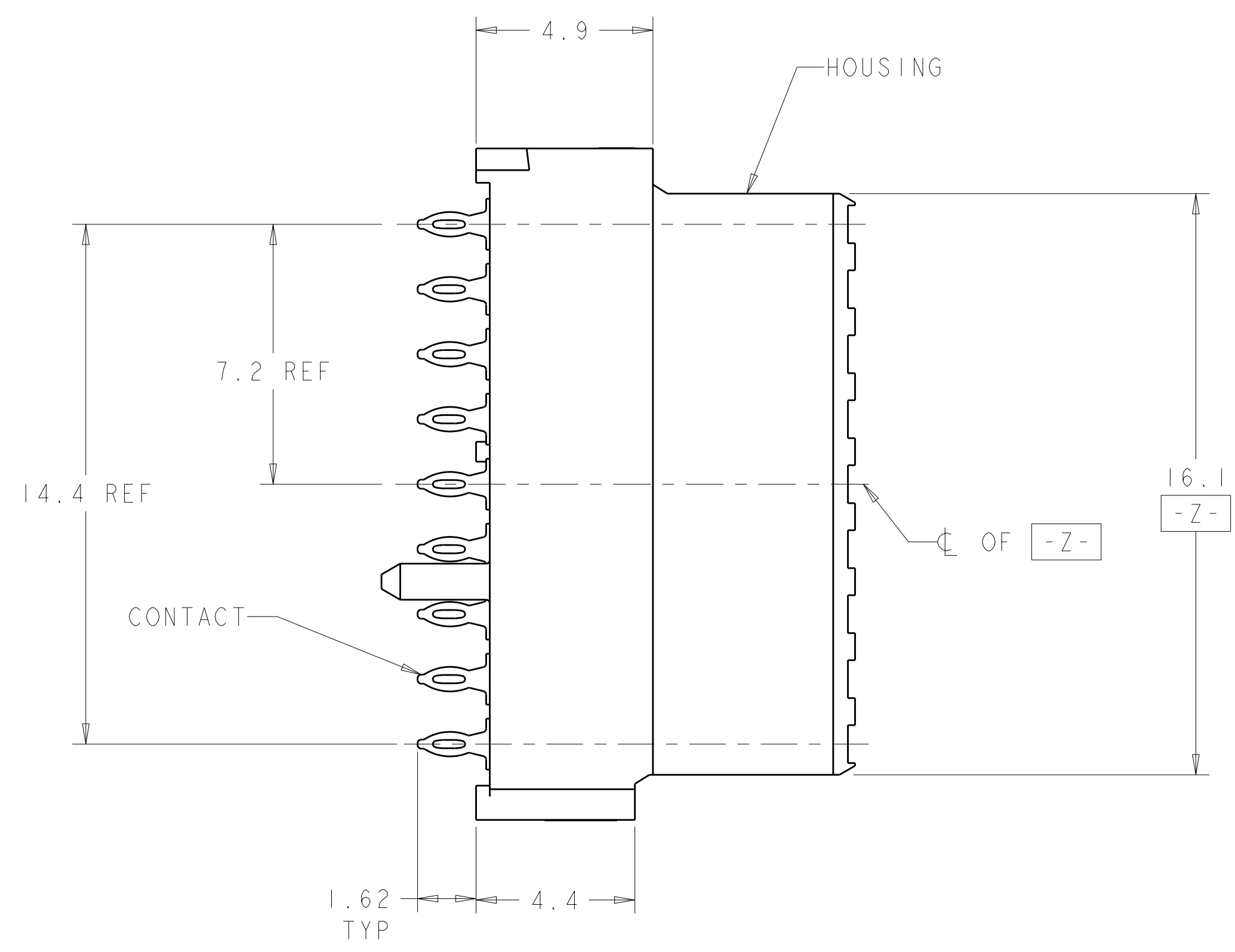
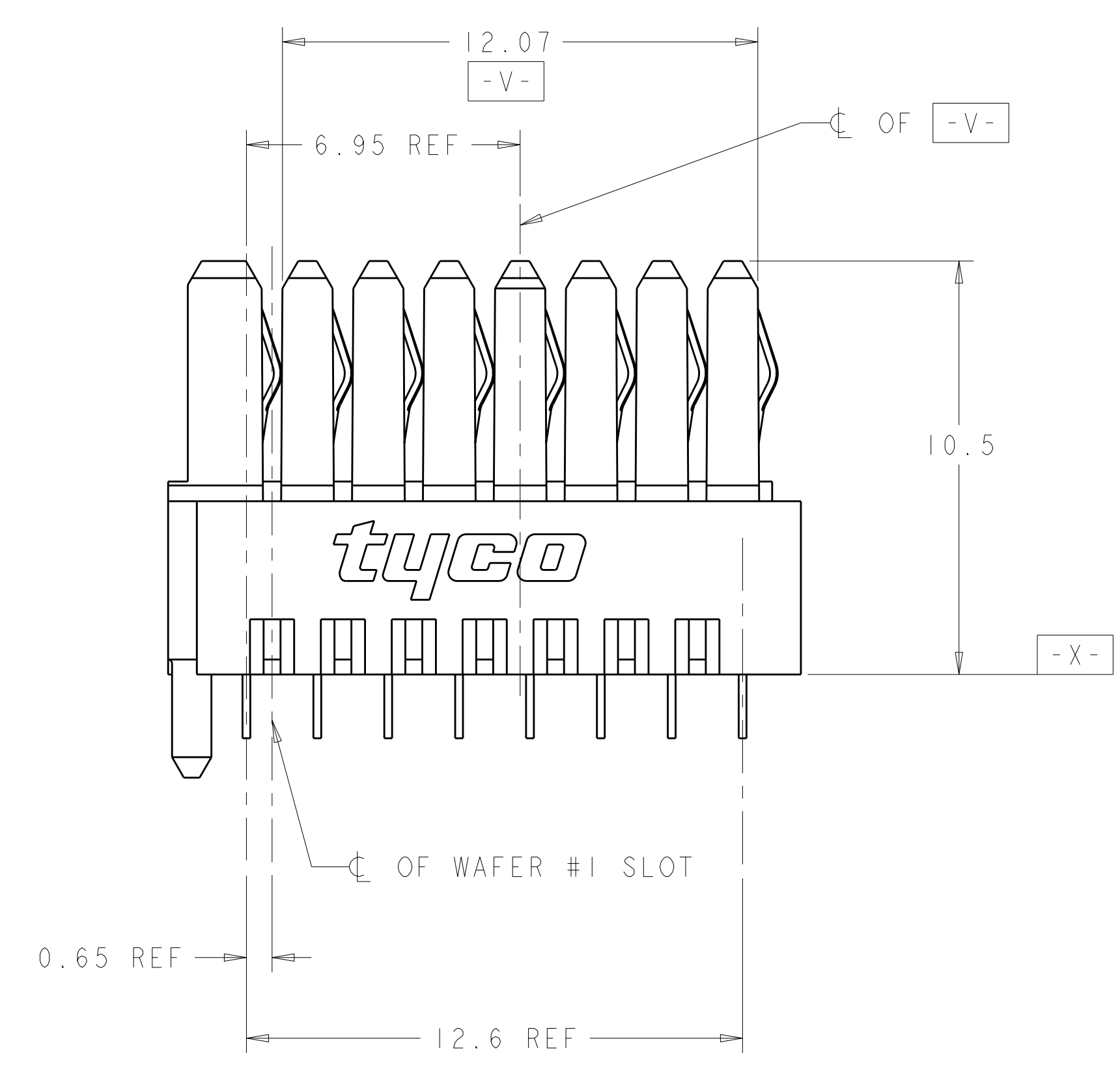
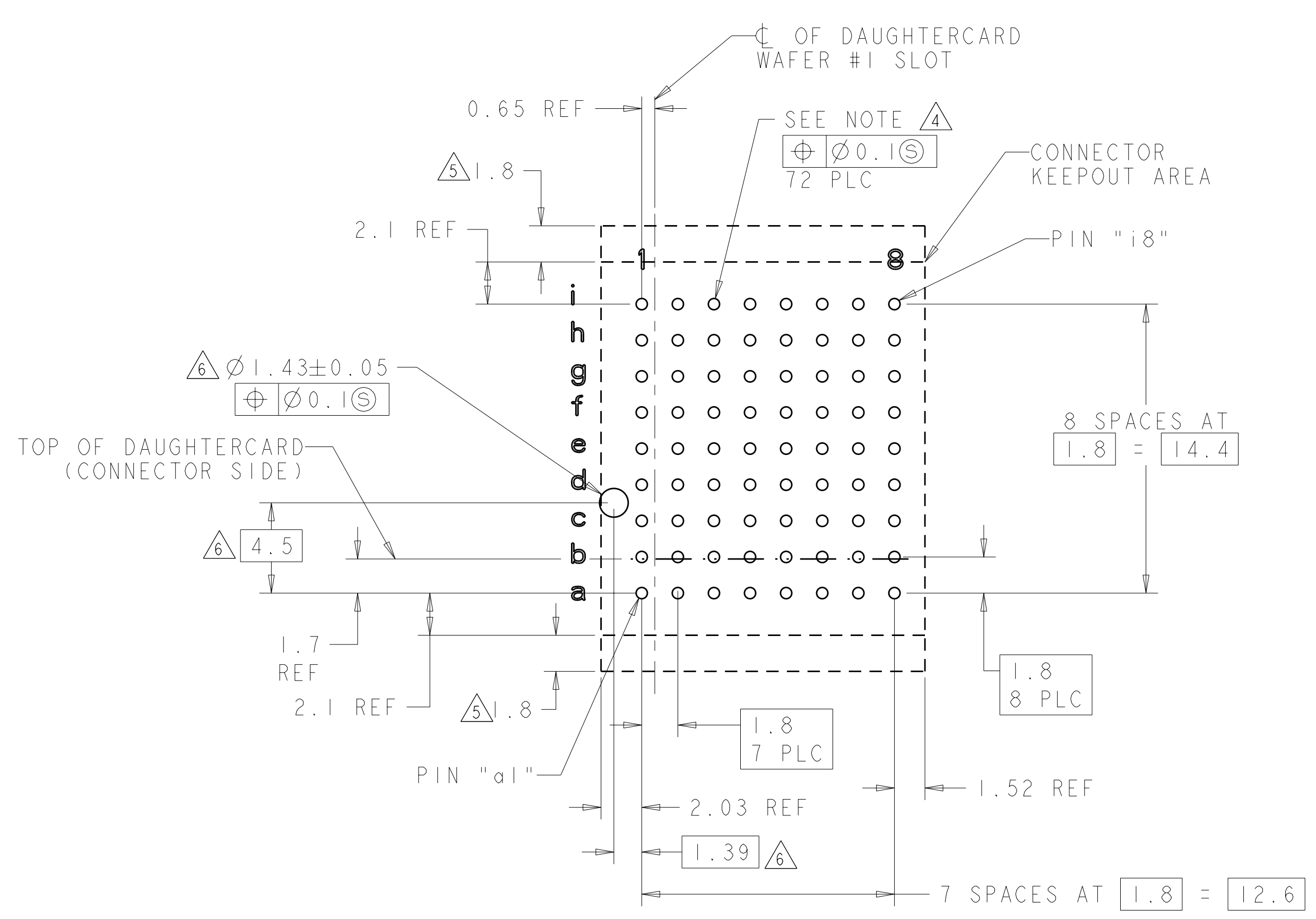


LOC		DIST		REVISIONS			
GP	00	P	LTR	DESCRIPTION	DATE	DWN	APVD
		A		REV PER ECO-006525	29MAR2006	BC	GG
		B		REV PER ECO-08-023222	16SEP2006	RT	GG



- 1 HOUSING: LCP, UL94V0, COLOR: BLACK.  
CONTACT: PHOSPHOR BRONZE.
- 2 FINISH: 1.27µm GOLD IN CONTACT AREA 1.27µm MIN. TIN-LEAD ON PCB TAIL OVER 3.81µm MIN. NICKEL OVER ALL.
- 3 FINISH: 1.27µm GOLD IN CONTACT AREA 1.27µm MIN. TIN ON PCB TAIL OVER 3.81µm MIN. NICKEL OVER ALL.
- 4 MANUFACTURING TOLERANCE FOR:  
 $\varnothing 0.56 \pm 0.05$  FINISHED HOLE WITH Sn PB PLATING:  
 DRILLED HOLE =  $\varnothing 0.65 \pm 0.02$   
 COPPER PLATING = 0.025-0.050  
 Sn PB PLATING = 0.0038-0.0124  
 OR  
 $\varnothing 0.575 \pm 0.050$  FINISHED HOLE WITHOUT Sn PB PLATING:  
 DRILLED HOLE =  $\varnothing 0.65 \pm 0.02$   
 COPPER PLATING = 0.025-0.050
- 5 ADDITIONAL CONNECTOR-SIDE KEEPOUT AREA REQUIRED IF CONNECTOR-SIDE EXTRACTION TOOL IS TO BE USED.



PC BOARD LAYOUT  
(CONNECTOR SIDE)  
SEE SHEET 2 FOR RTM)  
SCALE 5:1

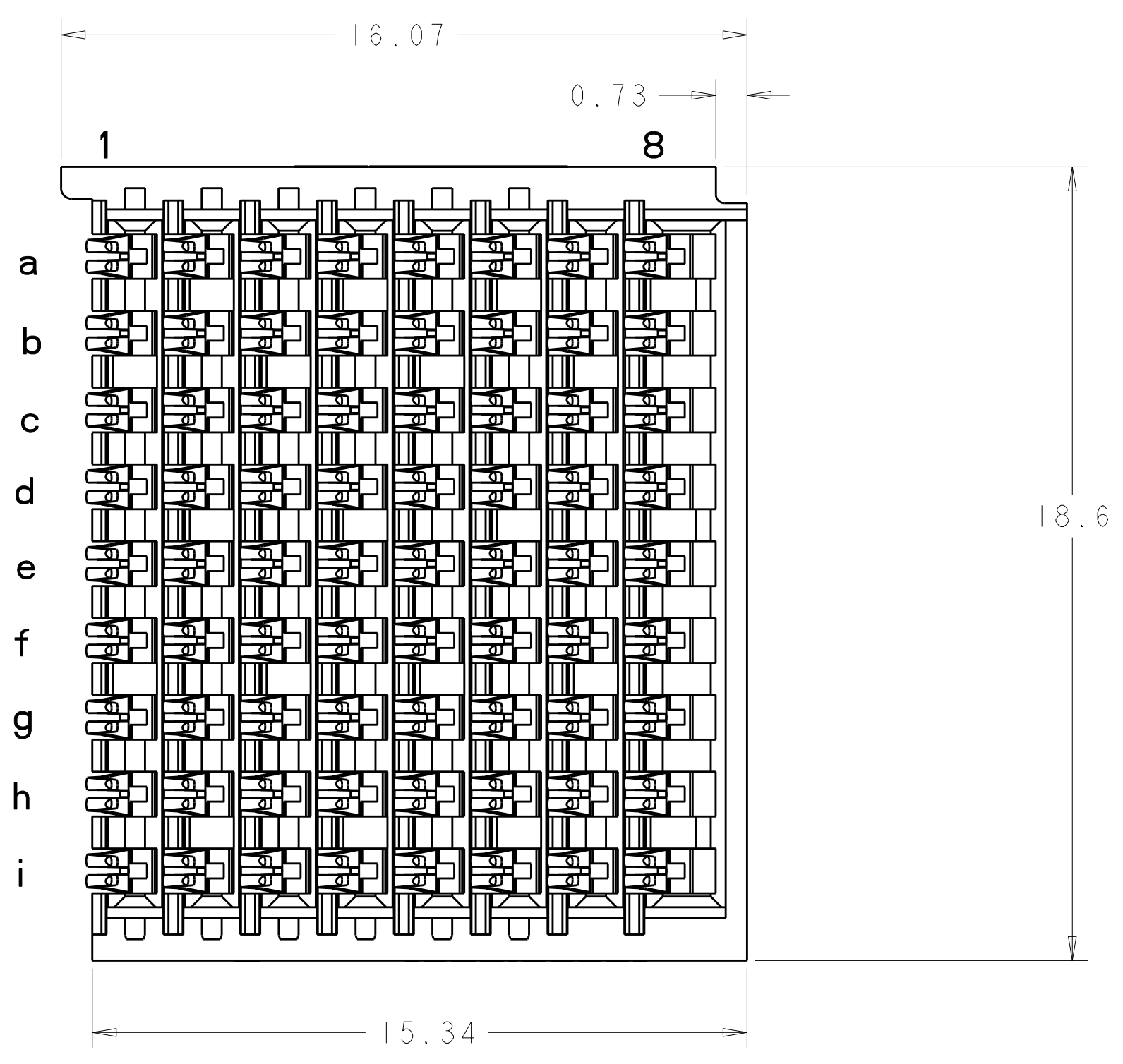
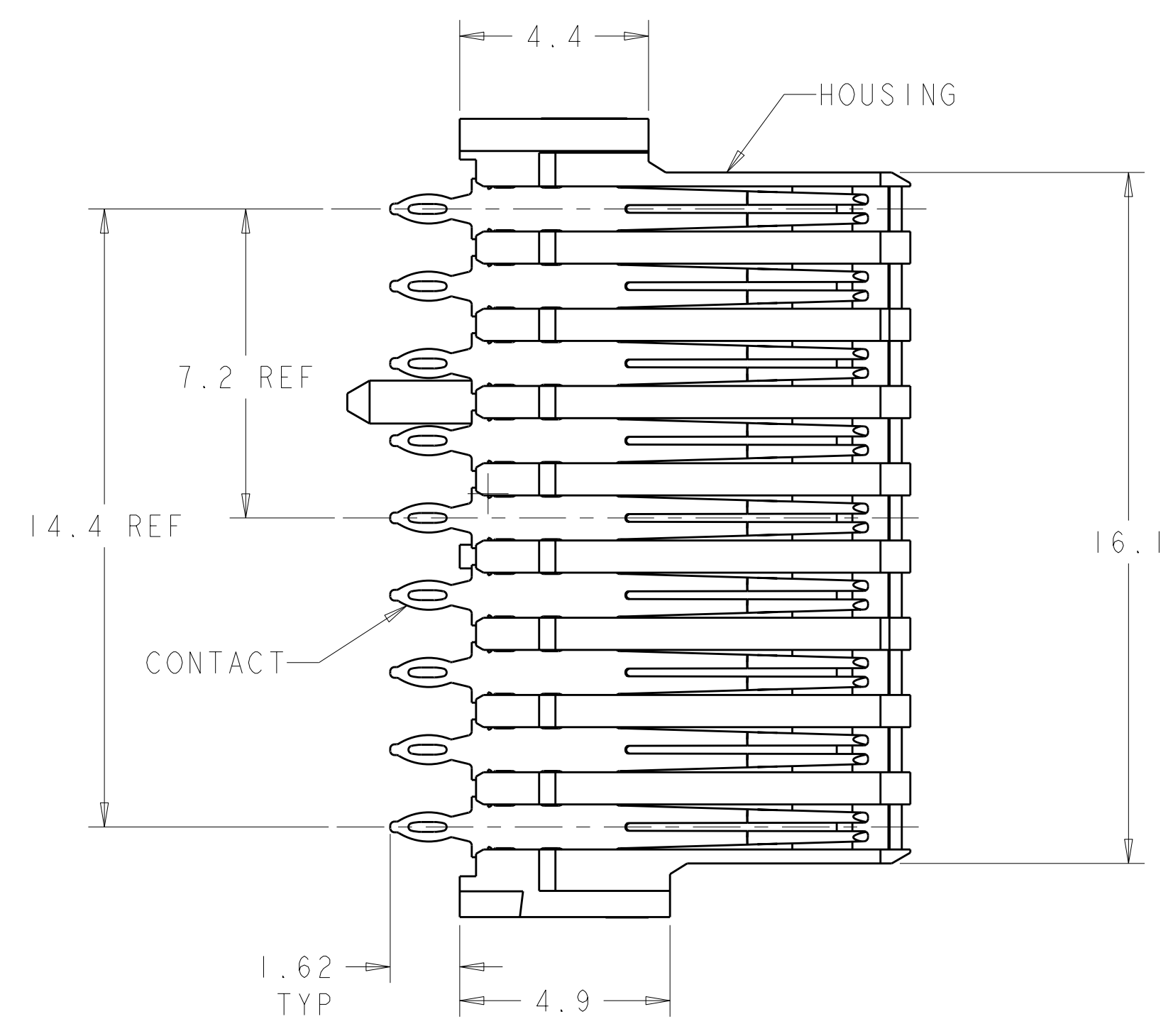
DIMENSIONS:		TOLERANCES UNLESS OTHERWISE SPECIFIED:		DWN		30SEP2003		Tyco Electronics		
mm	9 PLC ±	1 PLC ±0.5	2 PLC ±0.13	3 PLC ±	4 PLC ±	5 PLC ±	6 PLC ±	7 PLC ±	8 PLC ±	
	ANGLES	±1°		FINISH	SEE TABLE		CUSTOMER DRAWING		SCALE 4:1 SHEET 1 OF 2 REV B	

PLATING	1410186-2
PART NO	1410186-1

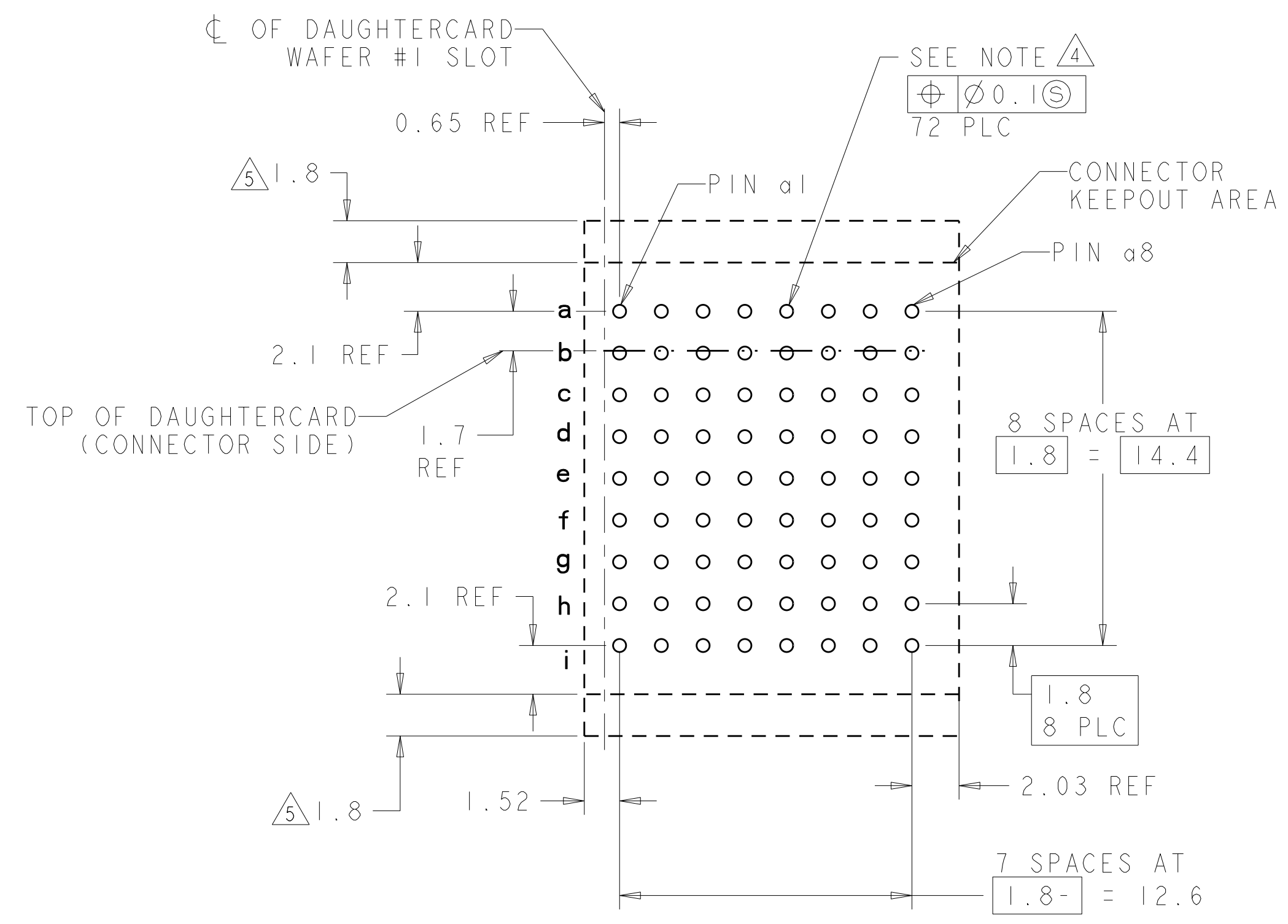
NAME	CONNECTOR ASSEMBLY, BACKPLANE VERTICAL RECEPTACLE, HALF, LEFT END, 20.3mm, MultiGig RT 2
SIZE	114-13056
CAGE CODE	00779
DRAWING NO	1410186

LOC		DIST		REVISIONS			
GP	00	P	LTR	DESCRIPTION	DATE	DWN	APVD
		-	-	SEE SHEET 1	-	-	-

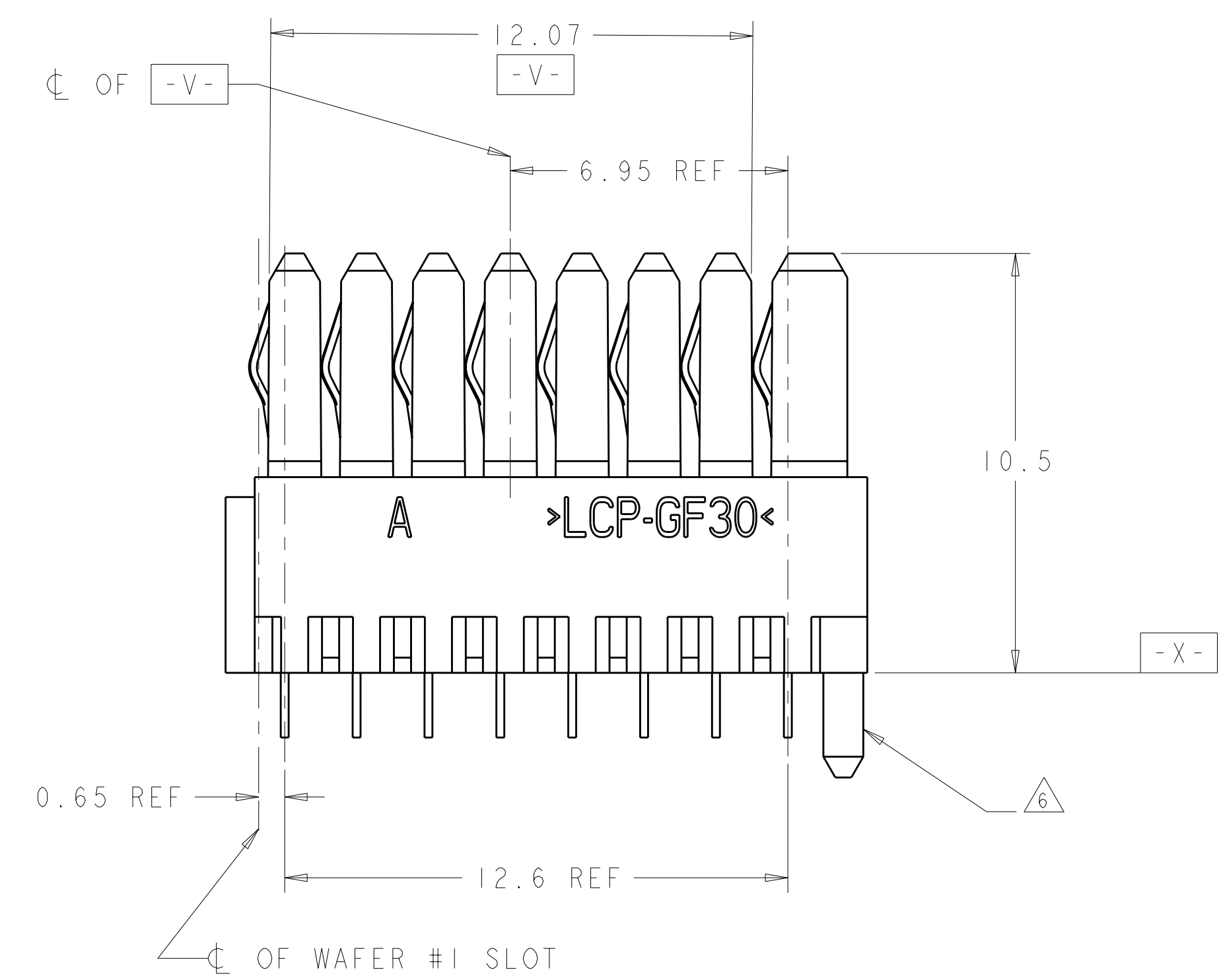
# REAR TRANSITION MODULE APPLICATION



6 PLASTIC ALIGNMENT PIN MUST BE REMOVED FLUSH TO HOUSING BODY PRIOR TO INSERTION INTO RTM LAYOUT



RTM PC BOARD LAYOUT  
(CONNECTOR SIDE)  
SCALE 5:1



<small>THIS DRAWING IS UNPUBLISHED. RELEASED FOR PUBLICATION BY TYCO ELECTRONICS CORPORATION. ALL RIGHTS RESERVED. THIS IS SUBJECT TO CHANGE WITHOUT NOTICE. THE USER SHALL BE RESPONSIBLE FOR VERIFYING THE DIMENSIONS AND TOLERANCES OF THE PARTS AND ASSEMBLIES. CONTACT TYCO ELECTRONICS CORPORATION FOR THE LATEST REVISION.</small>		DWN: 30SEP2003 CHK: 30SEP2003 J: CONSOLI APVD: 30SEP2003	<b>tyco</b> Electronics Tyco Electronics Harrisburg, PA 17105-3608
DIMENSIONS: mm 	TOLERANCES UNLESS OTHERWISE SPECIFIED: 9 PLC ± 1 PLC ±0.5 5 PLC ±0.13 4 PLC ± ANGLES ±1°	PRODUCT SPEC: 108-2072 APPLICATION SPEC: 114-13056 WEIGHT: - FINISH: SEE TABLE	NAME: CONNECTOR ASSEMBLY, BACKPLANE VERTICAL RECEPTACLE, HALF, LEFT END, 20.3mm, MultiGig RT 2 SIZE: A CAGE CODE: 00779 DRAWING NO: C=1410186 RESTRICTED TO: - SCALE: 4:1 SHEET 2 OF 2 REV B
MATERIAL: -		CUSTOMER DRAWING	